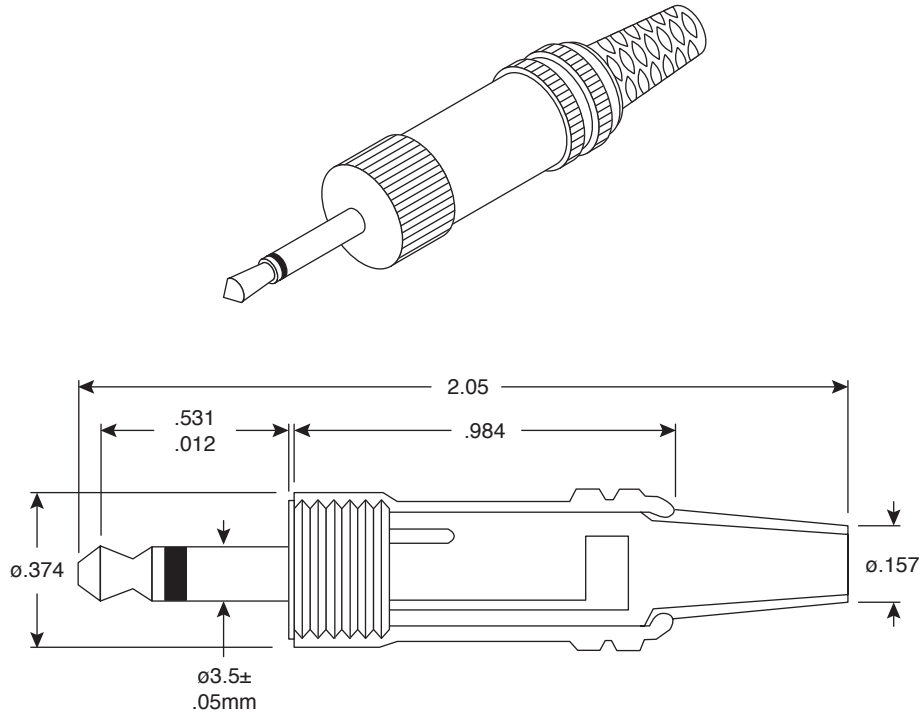


3.5mm Shielded Mono Plug

171-3201-EX



3.5mm Shielded Mono Plug



Dimensions: In.
(except where noted)

SPECIFICATIONS	
Type:	3.5mm High Reliability Shielded Mono Plug with Strain Relief, Insulated Sleeve and Japanese Tip
Contact Resistance:	50mΩ max.
Insulation Resistance:	100MΩ min. @ 500VDC
Withstand Voltage:	500VAC for 1 Minute
Terminal, Plug, Cap:	Nickel Plated Brass
Body:	ABS
Plug Insulator:	PVC
Strain Relief:	PVC
RoHS Compliant by Exemption	

Date Last Revised: 12-22-05

Available from Mouser Electronics
1-800-346-6873
www.mouser.com

KC-300890

171-3201-EX